

Sevcon Controllers

Overview

Sevcon offers a reliable range DC motor speed controllers. With input voltages ranging from 12V to 48V, output currents of up to 300A and contactorless bi-directional operation they are suitable for a wide range of applications including; golf cars, motorbikes, cars, boats, bicycles, utility vehicles and other electric vehicles.

Features

- *Operating Frequency 16kHz*
- *Operating Temperature -30C to 40C*
- *Various digital I/O which can be configured to suite your application*
- *Millipak controller features regenerative braking*
- *Rugged construction*
- *Millipak controller is available in a dedicated marine version*
- *Programable from PC with optional data cable.*
- *Fully adjustable throttle response*
- *Fault diagnostic LED*
- *Suitable for a wide range of throttles.*

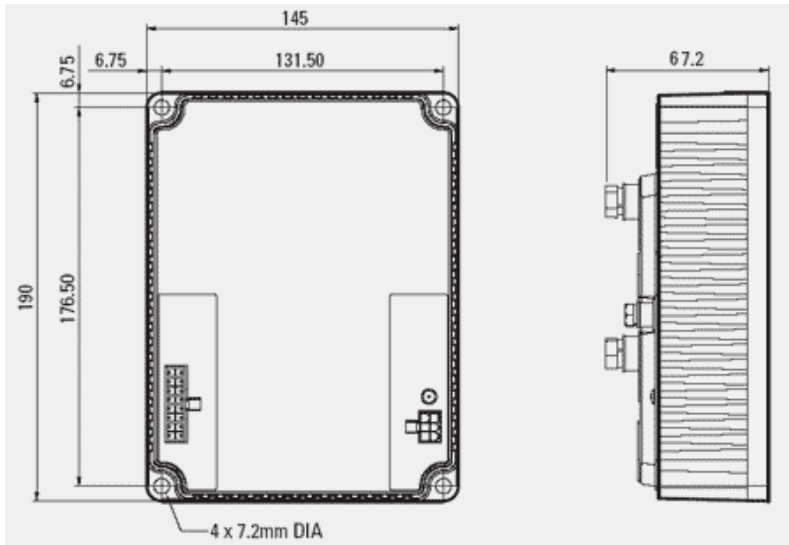


Controller Properties

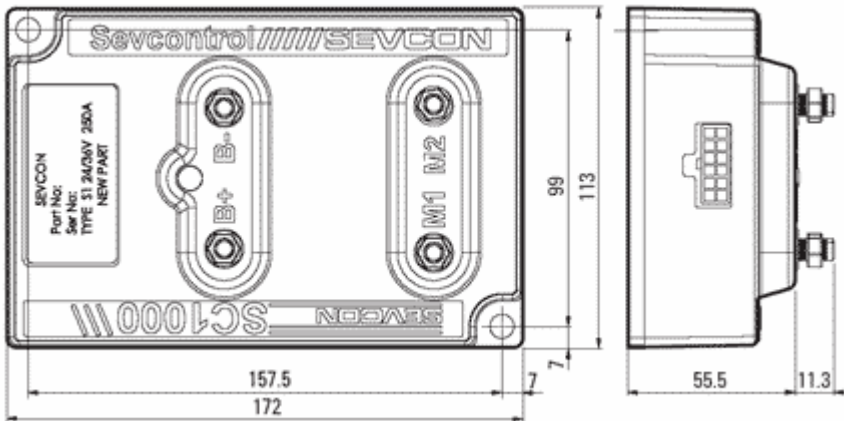
Model	Output	Battery Voltage	1 Min Rating Amps	1 Hour Rating Amps	Max Output power	Enclosure protection
Millipak 4Q	Fwd/Rev	48V	300A	130A	4kW	IP66
SC1200	Single Dir	24-36V	180A	80A	1.75kW	IP34
SC1200	Single Dir	24-36V	100	45A	1kW	IP34
SC1400	Fwd/Rev	24-36V	100A	45A	1kW	IP34
SC1400	Fwd/Rev	24-36V	75A	25A	750W	IP34

Mechanical Data

Sevcon Millipak 4Q



Sevcon SC1000 series



Contact Details

✉ **L.M.C. Ltd**
Unit 8 Park Court
Heathpark
Honiton
Devon
EX14 1SW

📧 sales@lmcltd.net
🌐 www.lmcltd.net
📠 Fax +44 (0) 1404 549946
☎ Tel: +44 (0) 1404 549940

