

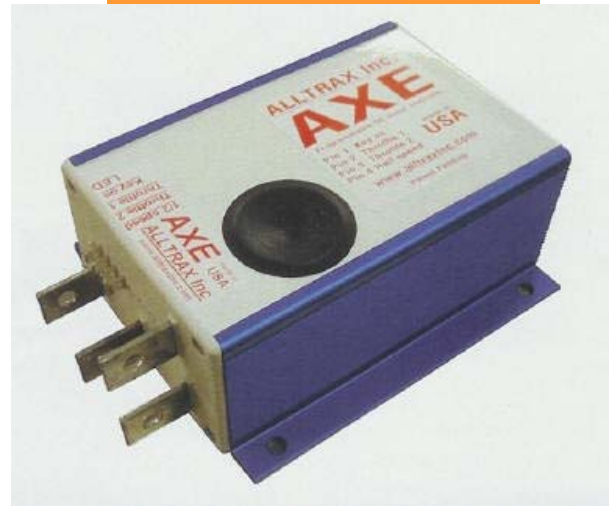
Alltrax AXE Controllers

Overview

The Alltrax AXE range offers a reliable easy to install single direction DC motor speed controllers. With input voltages ranging from 12V to 90V and continuous output currents of up to 200A they are suitable for a wide range of applications including; golf cars, pumps, motorbikes, cars, boats, bicycles and utility vehicles.

Features

- **Operating Frequency 18kHz**
- **Operating Temperature -25C to 75C**
- **Standby current (Powered up) <35mA**
- **24V Nominal input is 30V DC bus Max**
- **48V Nominal input is 60V DC bus max**
- **72V Nominal input is 90V DC bus max**
- **Rugged construction**
- **Easy to program RS232 interface**
- **Fully adjustable throttle response**
- **½ Speed input**
- **Fault diagnostic LED**
- **Available from 12 to 90V Dc Bus**
- **Suitable for a wide range of throttles including; 0-5K, 5K-0, 0-1K, 0-5V, 6-10V.**

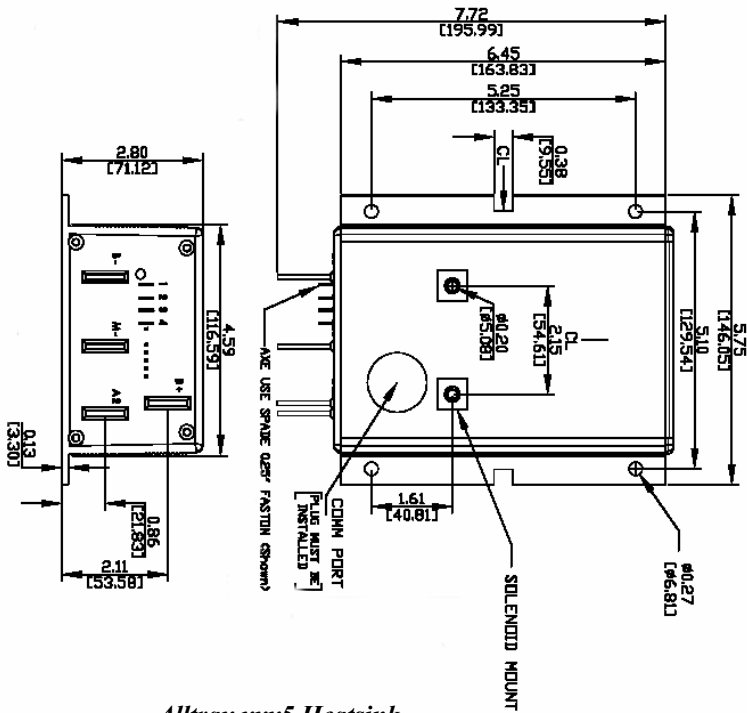


Controller Properties

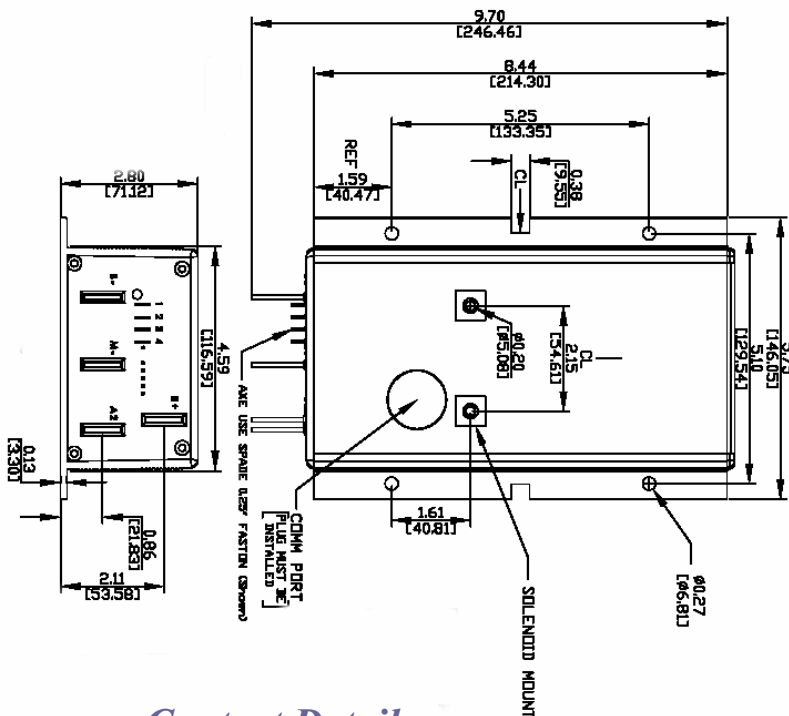
Model	Heatsink Size	Battery Voltage	2 Min Rating Amps	5 Min Rating Amps	1 Hour Rating Amps	Voltage Drop at 100 Amps
2444	xxx4	12-24V	400A	350A	200A	<0.10V
4834	xxx4	24-48V	300A	200A	135A	<0.30V
4844M	xxx4	24-48V	300A	200A	135A	<0.23V
4844	xxx4	24-48V	400A	300A	150A	<0.13V
4845	xxx5	24-48V	400A	300A	175A	<0.18V
4855	xxx5	24-48V	500A	350A	250A	<0.09V
4865	xxx5	24-48V	650A	400A	250A	<0.08V
7234	xxx5	24-72V	300A	200A	125A	<0.16V
7245	xxx5	24-72V	450A	350A	200A	<0.11V

Mechanical Data

Allrax xxx4 Heatsink.



Allrax xxx5 Heatsink



Contact Details

✉ **L.M.C. Ltd**
 44 Finimore Industrial Estate
 Ottery St Mary
 DEVON
 EX11 1NR
 UK

✉ sales@lmcltd.net
 🌐 www.lmcltd.net
 📠 Fax +44 (0) 1404 47050
 ☎ Tel: +44 (0) 1404 44132

